

Cleco[®]
Production Tools

High-Performance 1.7Hp Motor



TOOLimpex
CZECH REPUBLIC s.r.o.

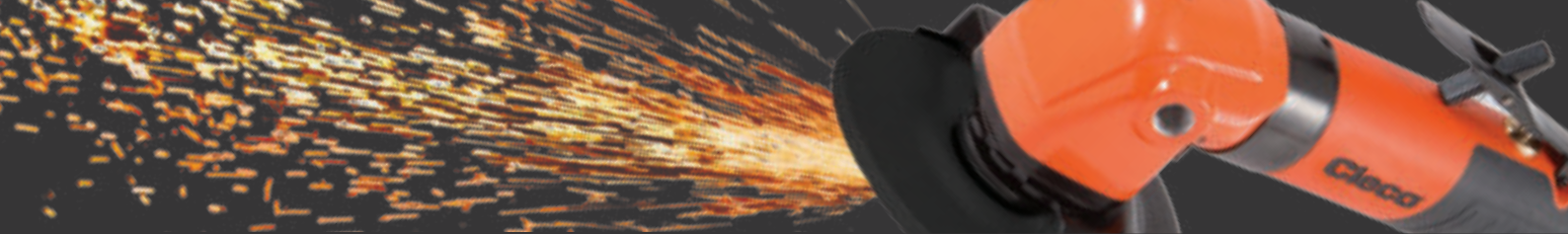
Cleco's new Right Angle Grinders deliver the power, comfort and control you need and expect - for tough and demanding grinding jobs, and at an exceptional value.



Cleco's new Right Angle Grinders meet the challenging requirements of industries including Foundry, Fabrication, Ship Building, Rail Cars, Machine Shops, and Welding Applications. They feature a high-performance 1.7Hp motor, to maximize material removal rates for the most demanding applications.

The Right Angle Grinders' internal components are built to last long, and are protected by a dual-layer, high-impact housing providing extreme durability. Available in 4", 4.5" and 5" disc sizes, the Right Angle Grinders are perfect for a wide range of applications.





Designed to fit all Type 27, Type 27 threaded hub and Type 1 abrasive discs

Quieter operation with rear exhaust overhose standard

Ergonomic, anti-vibration handle for increased comfort and less operator fatigue

Spindle lock for quick and easy abrasive changes

Dual-layer, high-impact composite housing for extreme durability

Versatile 270° adjustable guard for easy access to tight spaces

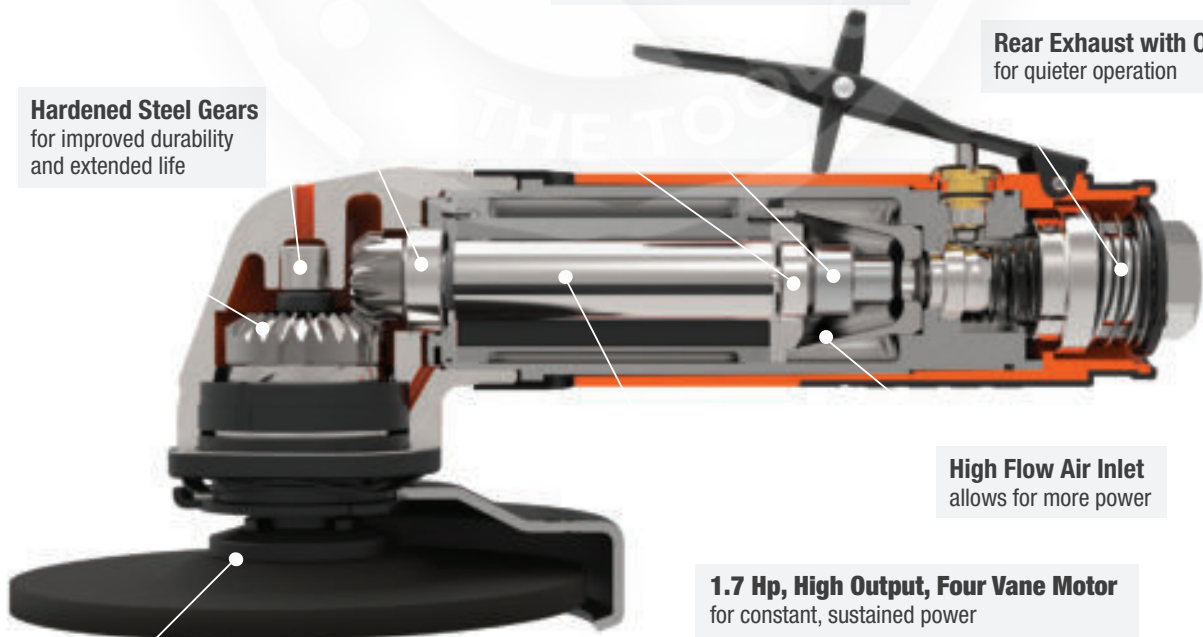


Industrial Grade Bearings
for superior durability and longer life

Speed Governor
to maintain optimal speed under load

Rear Exhaust with Overhose
for quieter operation

Hardened Steel Gears
for improved durability
and extended life



High Flow Air Inlet
allows for more power

1.7 Hp, High Output, Four Vane Motor
for constant, sustained power

Versatile Spindle and Flanges
designed to fit all Type 27, Type 27 threaded hub and type 1 abrasive discs



C3135A4-380H shown with disc, not included

Cleco's Right Angle Grinders are designed for rigorous use and long life, containing the features and power that are perfect for the most demanding applications found in foundries, shipyards, machine shops and rail car manufacturing.

Model Number													
C3135A4-380H	1.7 (1.25)	13,500	4" (101)	3/8"-24	3.78 (1.71)	8.95 (227)	3.03 (77)	3/8" NPT	50 (23)	84	95	4.8 (1.7)	Rear
C3120A45-580H	1.7 (1.25)	12,000	4.5" (115)	5/8"-11	3.98 (1.80)	8.95 (227)	3.03 (77)	3/8" NPT	36 (17)	84	95	7.3 (5.3)	Rear
C3120A45-M140H	1.7 (1.25)	12,000	4.5" (115)	M14 x 2	3.98 (1.80)	8.95 (227)	3.03 (77)	3/8" NPT	36 (17)	84	95	7.3 (5.3)	Rear
C3120A5-580H	1.7 (1.25)	12,000	5" (125)	5/8"-11	4.05 (1.83)	8.95 (227)	3.03 (77)	3/8" NPT	38 (18)	83	94	9.4 (6.9)	Rear
C3120A5-M140H	1.7 (1.25)	12,000	5" (125)	M14 x 2	4.05 (1.83)	8.95 (227)	3.03 (77)	3/8" NPT	38 (18)	83	94	9.4 (6.9)	Rear

KITS	PART NUMBER
Tune up Kit	T50-3000195