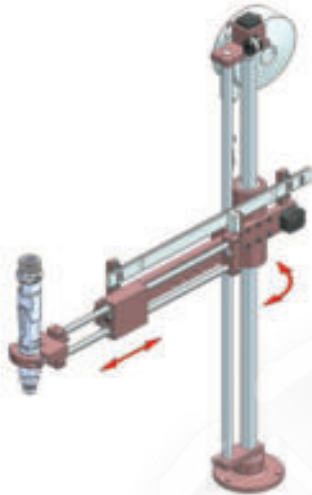


POSI-CONTROL



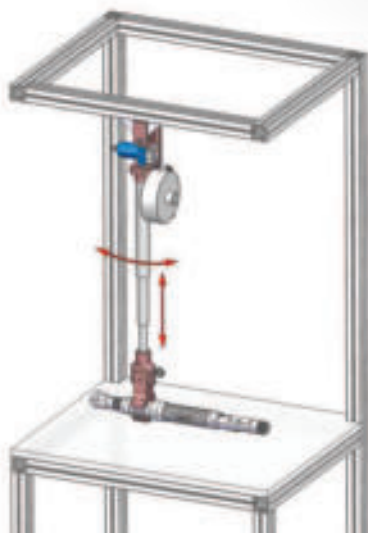
Linear arms BA...PC series



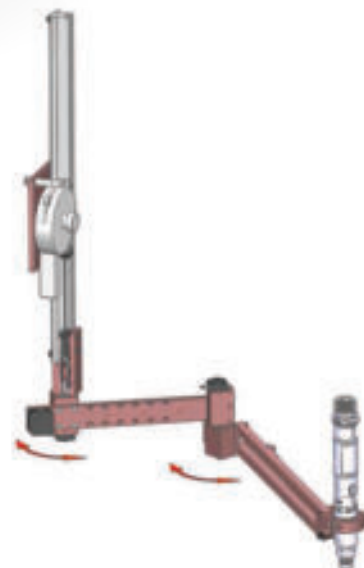
Articulated arms BA...RPC series



- Zero fault process
- Error proofing
- Sequencing
- Suitable with air and electric tools
- Automation device management



Telescoping arms DMF...PC series

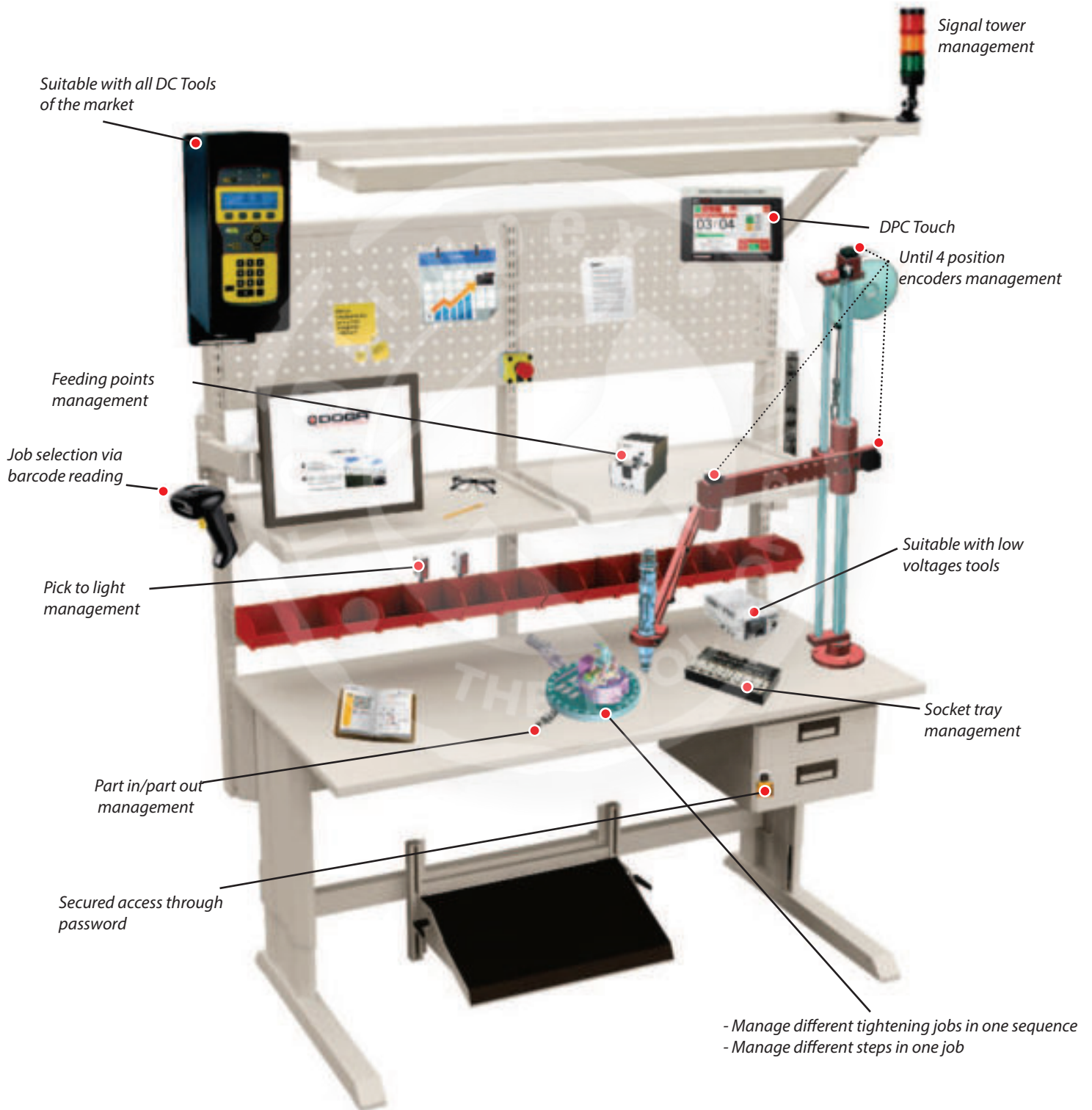


Suspended arms Slider BA...RPC series



POSI-CONTROL System

- Open job structure allows set up of customized logical sequences of fastenings, messages and I/O's.



- More than a sequencing and Poka-Yoke controller the DPC Touch may easily manage the automation devices of your workstation on assembly line.

POSI-CONTROL DPC-Touch

Powerful - user friendly - versatile



• TECHNICAL FEATURES :

Dimensions : 202 x 127 x 38 mm

Weight : 550 gr

I/O's : 12 inputs, 12 outputs, 24 Volts

LCD screen : 7" touch screen (800 x 480 m/m)

Encoders : until 4 encoders, [0 - 5 V]



Power supply

2 ports for low voltage DOGA screwdrivers

12 inputs/12 outputs (assignable)

Encoders port

RS232 port (firmware upgrade and bar code reading/Job selection)

• Fast and powerful :

- In house operating system
- Until 999 programable jobs !
- Until 255 steps per jobs !
- Until 99 positions per step !
- Until 4 position encoders

• Versatile :

- Suitable with all DC Tools - low voltage and air tools
- Poka-Yoke or/and sequencing controller
- Assignable I/O's
- Suitable with screwfeeders pick up
- Opened job structure enables customized logical sequences
- Management of your automation devices

• User friendly :

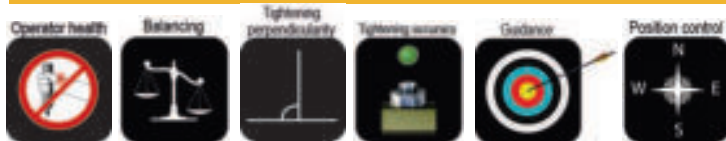
- Embedded soft
- Touch screen
- Self teaching sequencing
- Smart tolerance detection
- Process and sequencing visualization - operator instructions guidance

Model	Code
DPC Touch	6-1274100
DPC Touch / GX, GY, DO, GA cable	6-1041620
DPC Touch / DOGA HD, SD cable	6-1252002
DPC Touch / Stanley TAU/THETA cable	4-1241036
DPC Touch / Stanley KAPPA, ALPHA cable	4-1241050
DB9 3m/free wires (4 outputs/3 inputs) cable	4-1200542
DB25 3m/free wires (9 outputs/12 inputs) cable	4-1200770
DB44 3m/free wires (12 outputs/12 inputs) cable	6-1041621
Air kit for pneumatic tool / DPC Touch	4-1200771
Firmware upgrade kit	6-1200004



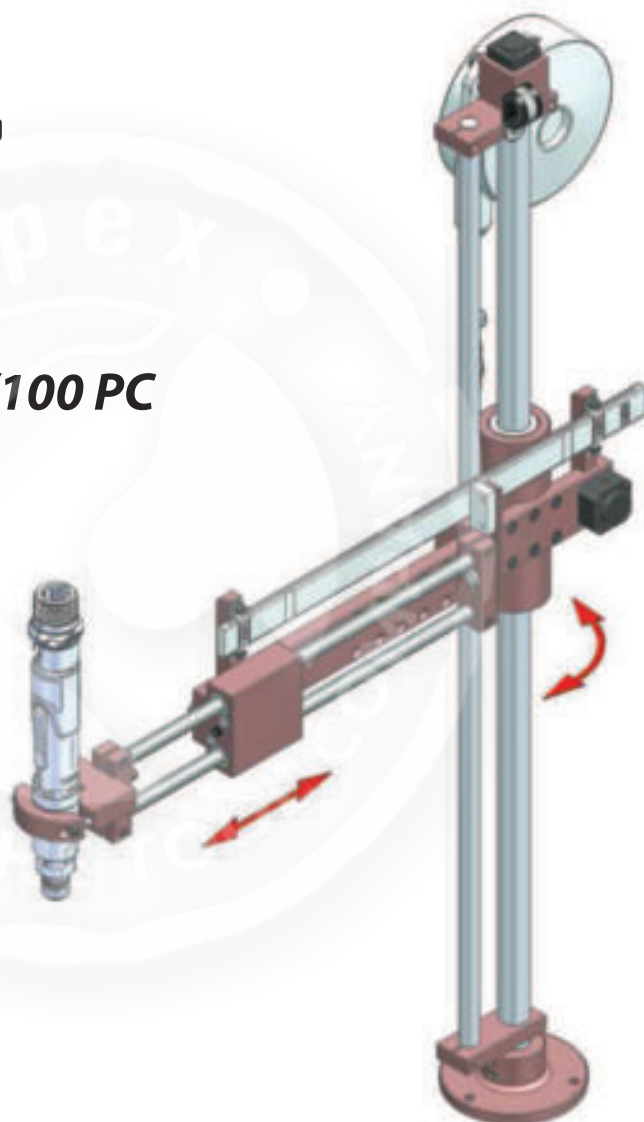
Linear arms

BA...PC Series



- Torque up to 100 Nm
- Equipped with absolute angle encoders (12 bits)
- Higher torque is available on request

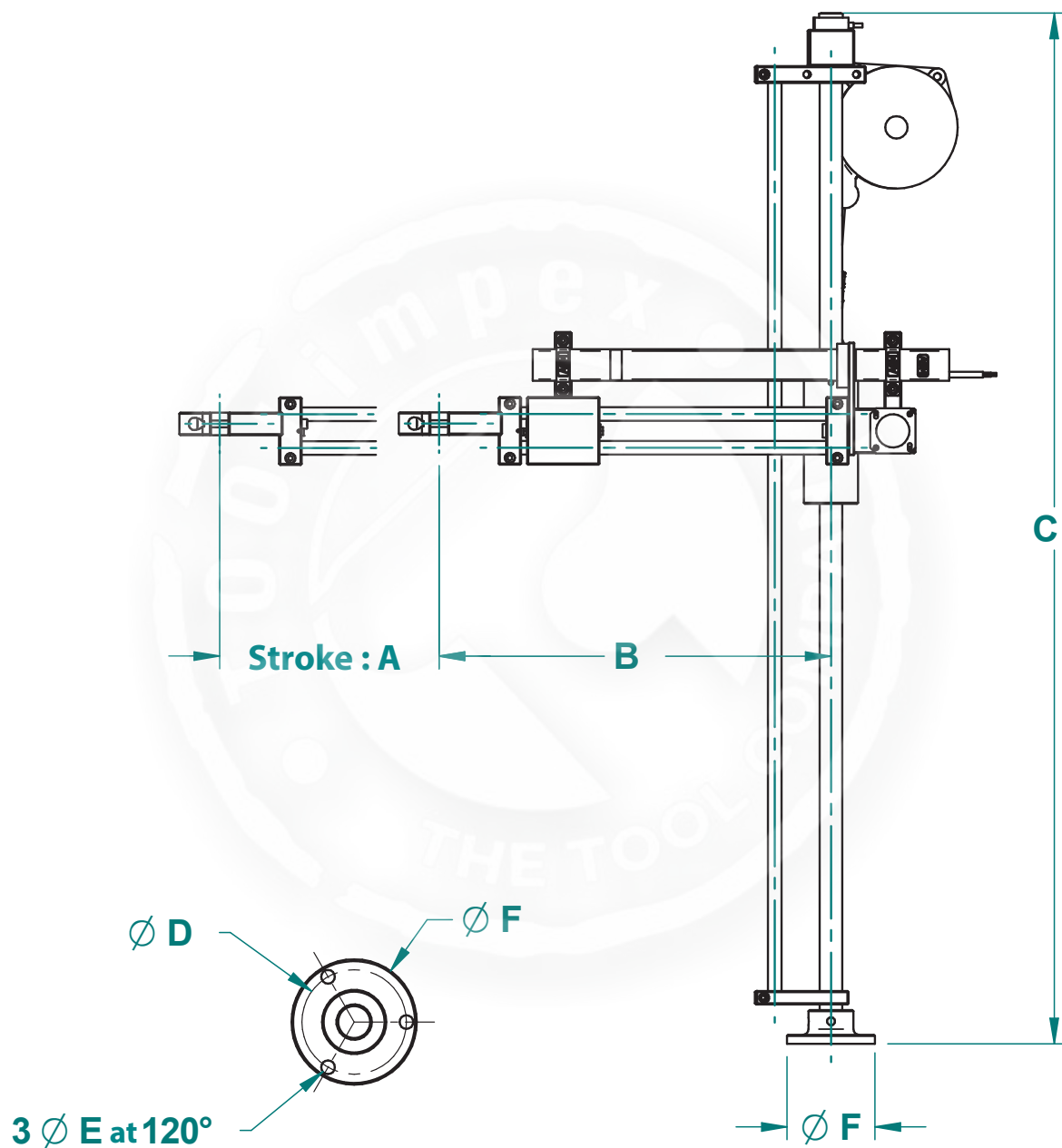
BA 12/25/40/100 PC



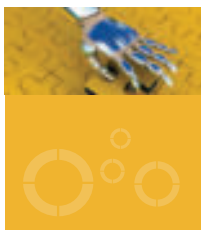
Model	Max torque (Nm)	Tool Ø (mm)	Stroke (mm)	Max load (Kg)	Code
BA 12 PC	12	25 - 50	195	1,2	4-1201009
BA 25 PC	25	28 - 52	195	2,2	4-1201086
BA 40 PC	40	28 - 52	295	3	4-1201087
BA 40 PC/400	40	28 - 52	395	3	4-1201088
BA 100 PC	100	28 - 52	295	4	4-1201089
BA 100 PC/400	100	28 - 52	395	4	4-1201091

Linear arms

BA...PC Dimensions

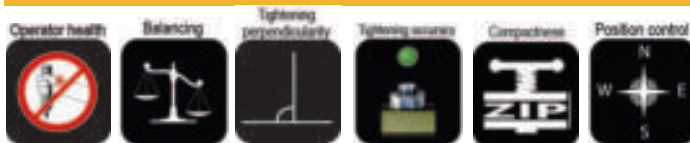


Model	Stroke A	B mini	B maxi	C	D	E	F
BA 12 PC	195	236	336	816	65	8,5	78
BA 25 PC	195	251	351	916	65	8,5	78
BA 40 PC/300	295	320	470	1016	100	8,5	118
BA 40 PC/400	395	420	570	1016	100	8,5	118
BA 100 PC/300	295	335	485	1016	126	10,5	148
BA 100 PC/400	395	435	585	1016	126	10,5	148



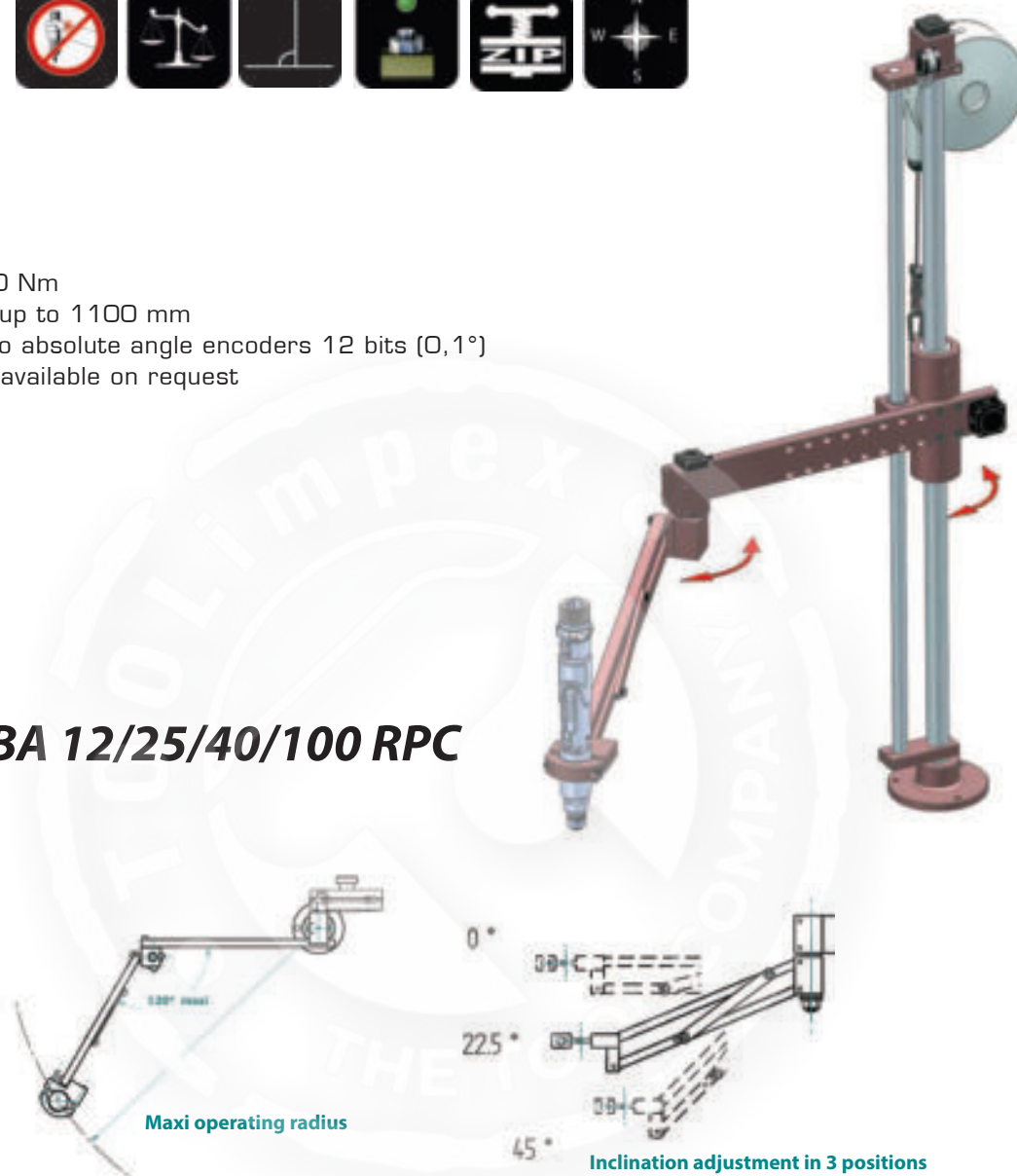
Articulated arms

BA...RPC Series



- Torque up to 100 Nm
- Operating range up to 1100 mm
- Equipped with two absolute angle encoders 12 bits (0,1°)
- Higher torque is available on request

BA 12/25/40/100 RPC



Model	Max torque (Nm)	Tool Ø (mm)	Operating range (mm)	Max load (Kg)	Code
BA 12 RPC	12	25 - 50	450	1,2	4-1201010
BA 25 RPC	25	28 - 52	460	2,2	4-1200472
BA 25 RPC/600	25	28 - 52	600	2,2	4-1200475
BA 40 RPC	40	28 - 52	650	3	4-1200473
BA 40 RPC/800	40	28 - 52	800	3	4-1200476
BA 100 RPC	100	28 - 52	730	4	4-1200474
BA 100 RPC/900	100	28 - 52	900	4	4-1200477
BA 100 RPC/1100	100	28 - 52	1100	4	4-1200478

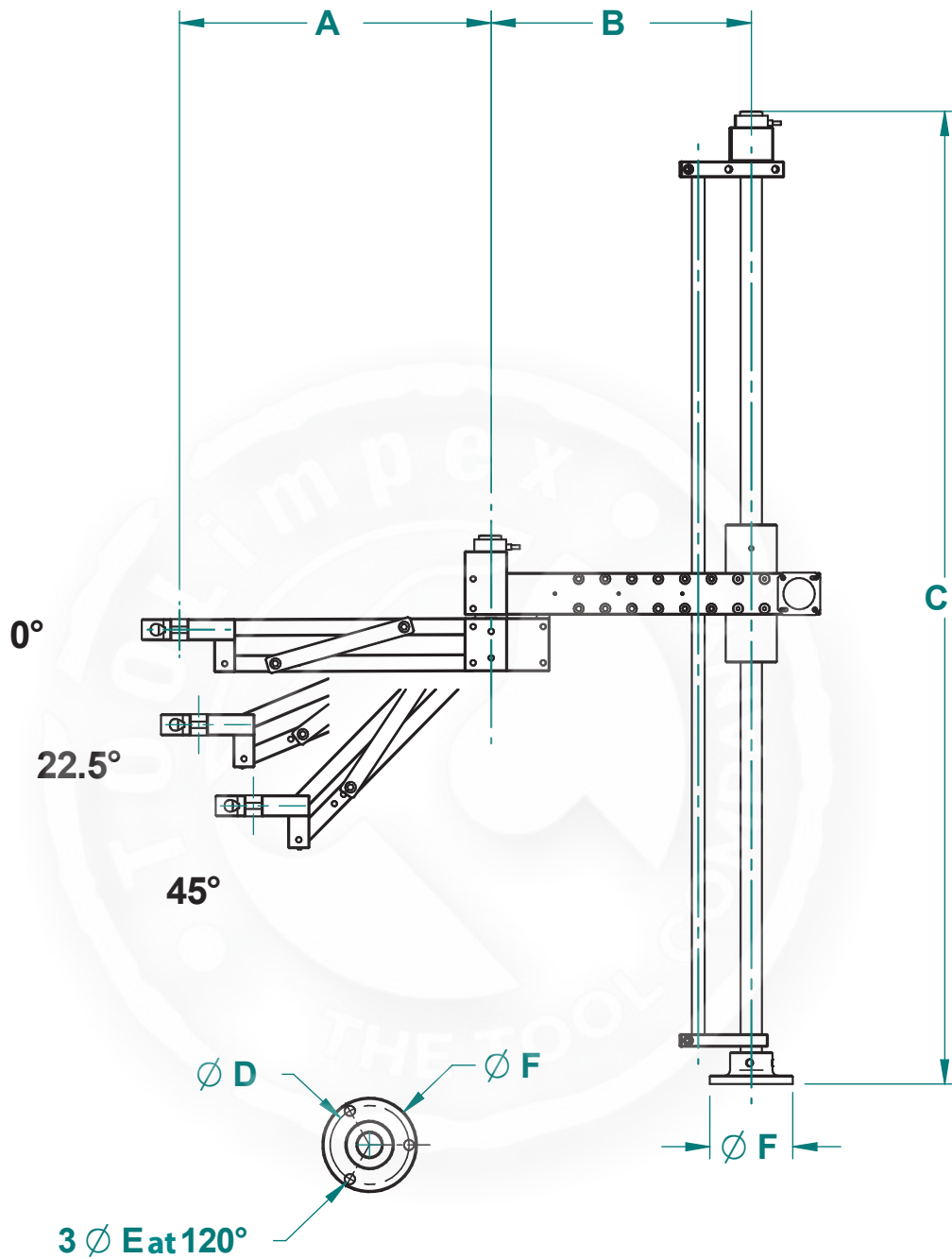


Option

Z encoder / BA RPC. **Code : 4-1283125.**
Encoder cable Z. **Code 4-1200725.**

Articulated arms

BA...RPC Series Dimensions



Model	A 0°	A 22,5°	A 45°	B min	B max	C	Operating range at 22,5°
BA 12 RPC	279	261	209	145	245	816	450
BA 25 RPC	296	278	227	145	245	916	460
BA 25 RPC/600	358	336	271	330	330	916	600
BA 40 RPC	414	387,5	310,5	200	350	1016	650
BA 40 RPC/800	503	470	374	415	415	1016	800
BA 100 RPC	462	433	351	255	405	1016	730
BA 100 RPC/900	564	528	425	520	520	1016	900
BA 100 RPC/1100	694	648	517	635	635	1016	1100

D, E, F similar to BA...R

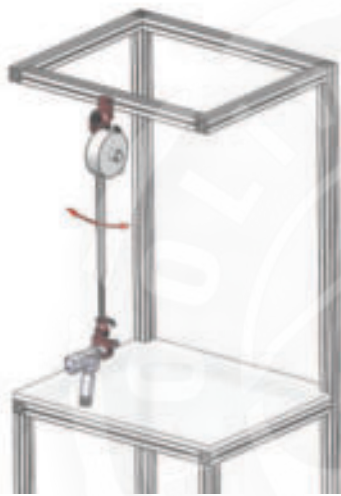


Carbon telescoping arms

DMF...PC Series

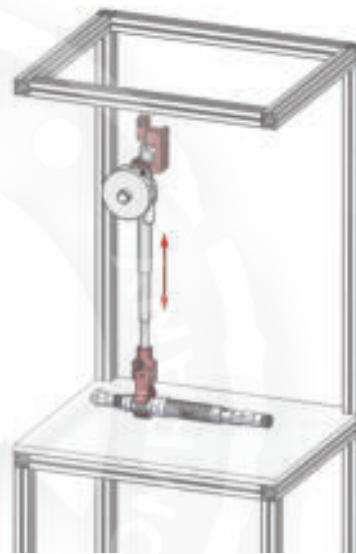


- Torque up to 140 Nm
- Equipped with absolute angle encoders 12 bits (0,1°)
- ←→ Monitored movement



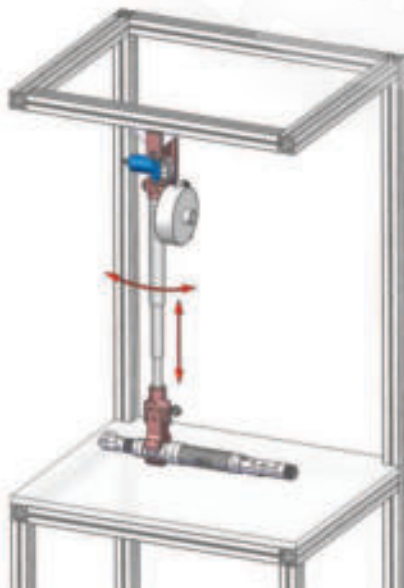
DMF APC

Equipped with one angle encoder



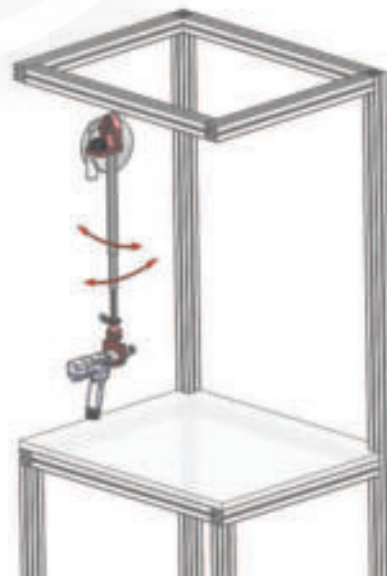
DMF LPC

Equipped with one length encoder



DMF LAPC

Equipped with one length encoder and one angle encoder



DMF AAPC

Equipped with two angle encoders (inclinometer)

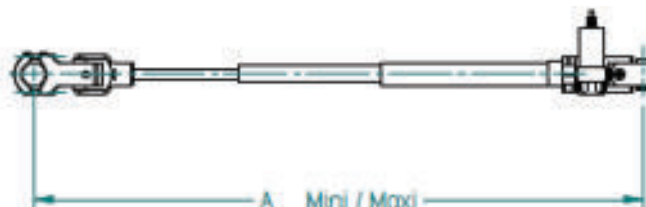
Carbon telescoping arms

DMF...PC Series

DMF APC



DMF LPC/LAPC



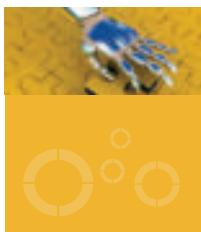
Model	Torque	Clamp	Tool Ø	Min	Max	Code without clamp	Code with clamp
DMF 30 APC/960	30	P1	28-52	560	960	4-1200574	4-1200564
DMF 30 APC/1500	30	P1		706	1500	4-1200575	4-1200565
DMF 30 APC/2000	30	P1		873	2000	4-1200576	4-1200566
DMF 80 APC/1500	80	P2/P3	35-52	764	1500	4-1200577	4-1200567
DMF 80 APC/2000	80	P2/P3		930	2000	4-1200578	4-1200568
DMF 140 APC/1500	140	P2/P3		978	1500	4-1200579	4-1200569
DMF 140 APC/2000	140	P2/P3		1228	2000	4-1200580	4-1200572
DMF 30 LPC/960	30	P1	28-52	560	960	4-1200588	4-1200581
DMF 30 LPC/1500	30	P1		727	1500	4-1200589	4-1200582
DMF 30 LPC/2000	30	P1		894	2000	4-1200590	4-1200583
DMF 80 LPC/1500	80	P2/P3	35-52	780	1500	4-1200591	4-1200584
DMF 80 LPC/2000	80	P2/P3		947	2000	4-1200592	4-1200585
DMF 140 LPC/1500	140	P2/P3		991	1500	4-1200593	4-1200586
DMF 140 LPC/2000	140	P2/P3		1241	2000	4-1200594	4-1200587
DMF 30 LAPC/960	30	P1	28-52	560	960	4-1200662	4-1200595
DMF 30 LAPC/1500	30	P1		727	1500	4-1200663	4-1200596
DMF 30 LAPC/2000	30	P1		894	2000	4-1200664	4-1200597
DMF 80 LAPC/1500	80	P2/P3	35-52	780	1500	4-1200665	4-1200598
DMF 80 LAPC/2000	80	P2/P3		947	2000	4-1200666	4-1200599
DMF 140 LAPC/1500	140	P2/P3		991	1500	4-1200667	4-1200660
DMF 140 LAPC/2000	140	P2/P3		1241	2000	4-1200668	4-1200661

AAPC Option



Inclinometer may be installed on standard DMF arms (DMF30, DMFi 70/120/200) to monitor angular position.

For	Code
DMF 30	4-1200809
DMFi 70/120/200	4-1200810



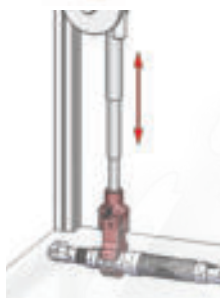
Carbon telescoping arms

Clamps for DMF...PC



P1 clamp

For	P1	Tool Ø
DMF 30	Standard	28/52
DMF 80/140	Mounting plate interface	On request



P2 clamp

For	Tool Ø	Code
DMF 30	28/52	4-1200300
DMF 80/140	35/52	Standard



P3 clamp

For	Tool Ø	Code
DMF 30	28/52	4-1200301
DMF 80/140	35/52	Standard



P4 clamp

For	Tool Ø	Code
DMF 30	28/52	4-1200302
DMF 80/140	35/52	4-1200343



Tilt interface

For	Code
DMF 30 30°	4-1201140
DMF 30 45°	4-1201141

Swivel clamp

For	Tool Ø	Code
DMF 80/140	On request	On request



P2 Rotating clamp

For	Tool Ø	Code
DMF 30	On request	4-1201134
DMF 80/140	On request	4-1201135

Carbon telescoping arms

DMF...PC Accessories



Balancing kit for DMF...PC

Max load tool (kg)	For	Code
1/2,5	DMF 30	4-1200304
2/4	DMF 30/80	4-1200305
4/6	DMF 80/140	4-1200306

Balancer attachment kit for DMF30 **Code 4-1201143.**



Rails

Length	Stroke	Number of flanges	Code
600	450	2	4-1200132
800	650	2	4-1200160
1000	850	2	4-1200161
1200	1050	3	4-1200162
1500	1350	3	4-1200163
2000	1850	4	4-1200164



Allows installation of DMF on rail.

For	Code
DMF 30/80/140	4-1200341
DMF 300	4-1200342

NOTE : delivered without safety hook (Code 4-1200309)



Absorbing

Recommended in case of repeatable side shocks.

Code 4-1201125 Set of 2



To limit the slide of the arm on the rail.

Code 4-1200167

Adjustable

stop

To reinforce the rail installation for high torque applications.

Code 4-1200873



Rail link

Code 4-1200307